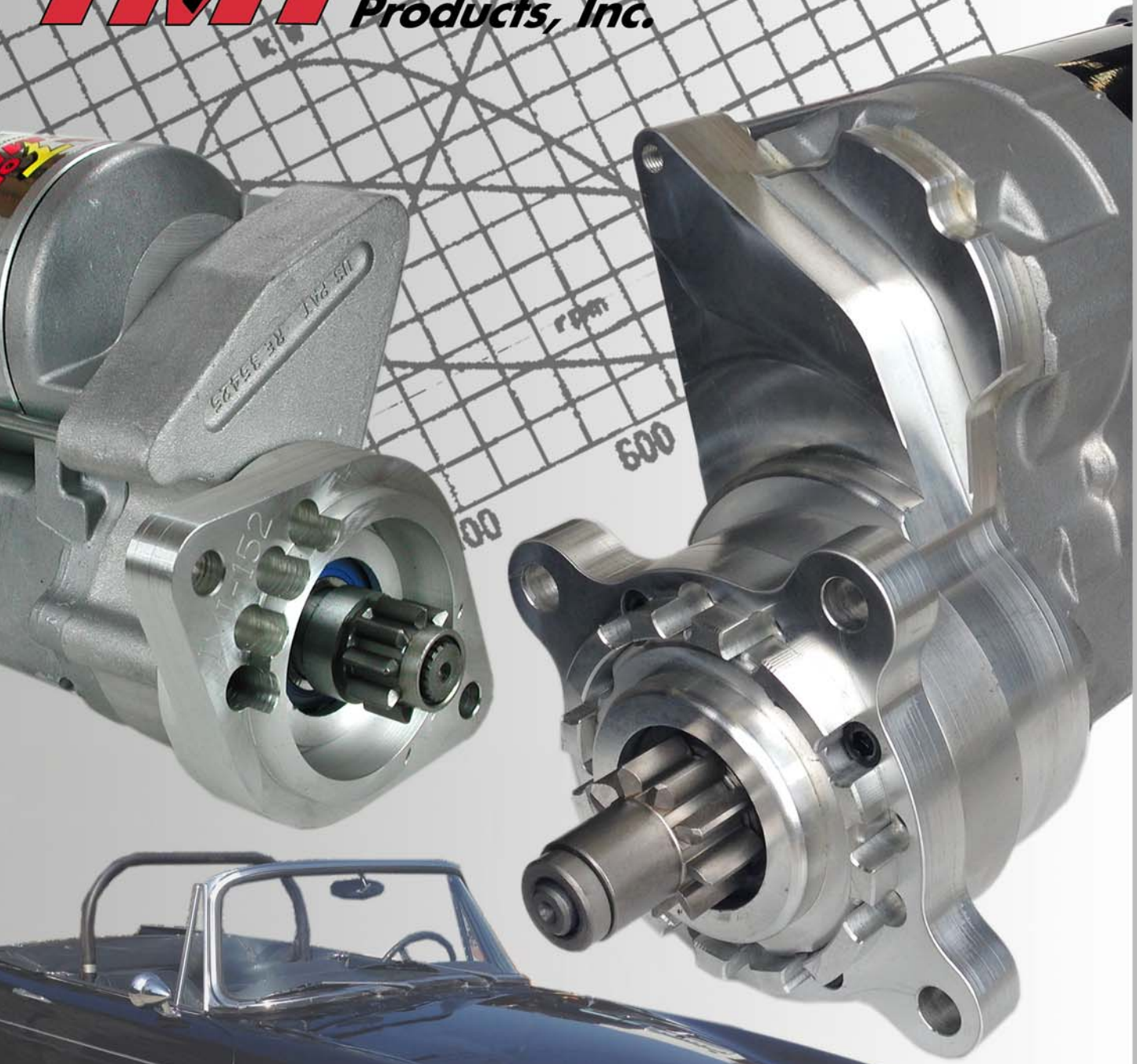


Hi TORQUE

IMI Performance Products, Inc.



IMI Performance Products, Inc.

2016 Edition

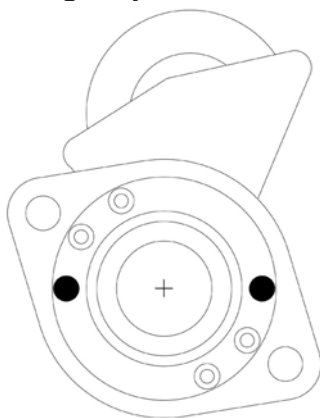
Hi-TORQUE[®]

IMI Performance Products, Inc.

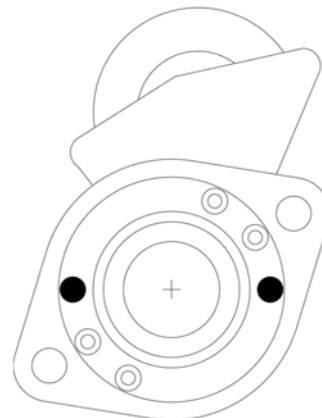
For over a decade **Hi-Torque™ IMI Performance Products, Inc.** has developed a range of starters designed specifically for the aftermarket to replace those used in the automotive, marine, off-road, and industrial and agriculture markets. Our design begins with an OEM Denso product, which we believe to be the finest product currently available. When coupled to our US Patented design it affords the end user the highest quality and most reliable starter currently available. Reliability and quality are but two of the three required essential ingredients necessary for successful business. To this we add the key ingredient; customer service.

We continue to discover new and/or different applications as a direct result of inquires and needs, thanks to our new and existing customers. We pride ourselves with knowing we provide the most flexible and dynamic unit within the market. We carry a full line of 12-V, 24-V, Clockwise and Counter-Clockwise units. Marinization is available to meet SAE J1171 certification. We designate our marine units with the letter M at the end of the part number.

In the event you cannot find a replacement listed in this catalog for your specific application, please call our toll free telephone number 888-244-8675 and allow us to design something for you.



Our patented design allows the end user to re-index the drive end housing to maximize clearance. Simply remove the metric allen head screws, adjust the position of the drive plate, and torque the screws back in place.



- All of our units are under the protection of our patents.
- US PATENT Nos. 5,163,335 & RE 35,425
 - AUSTRALIAN PATENT Nos. 650151 & 670003
 - CANADIAN PATENT No. 2073799-906
 - GERMAN PATENT No. 42 23 209

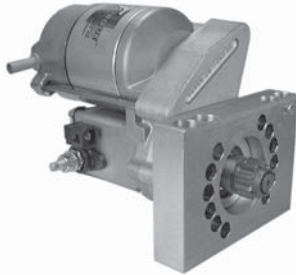
Disclaimer - This catalog is intended for reference purposes only. Hi Torque IMI Performance Products, Inc assumes no liability for any errors and/or omissions. Our units have been designed to replace specific OEM units. Occasionally a unit may not suit the intended application due to fitment issues.

Starter Classifications

IMI Performance Products offers different outputs of HiTorque starter motors. This starter classification will help you choose the right unit for your application. When a unit is designed we take into consideration compression, timing, and application. Most of our units are available in 12V, 24, CW, and CCW. What can we design for you?

100 Series

- ♦ 1.2kW (1.61HP)
- ♦ 4.4:1 Gear reduction
- ♦ Recommended for up to 11:1 Compression
- ♦ Machined Aluminum Adapter Block
- ♦ Adjustable drive end housing
- ♦ Available in Marine Certified SAEJ1171
- ♦ Available in Chrome polish



N Series

- ♦ 1.4kW (1.88HP)
- ♦ 4.4:1 Gear reduction
- ♦ Recommended for up to 14:1 Compression
- ♦ Machined Aluminum Adapter Block
- ♦ Adjustable drive end housing
- ♦ Available in Marine Certified SAEJ1171
- ♦ Available in Chrome polish



900 Series

- ♦ 2.0kW (2.68HP)
- ♦ 3.75:1 Gear reduction
- ♦ Recommended for up to 18:1 Compression
- ♦ Machined Aluminum Adapter Block
- ♦ Adjustable drive end housing
- ♦ Available in Chrome polish



22000 Series

- ♦ 2.2kW (2.95HP)
- ♦ Recommended for diesel applications
- ♦ Machined Aluminum Adapter Block
- ♦ Adjustable drive end housing
- ♦ Available in Chrome polish



25000 and 45000 Series

- ♦ 12V 2.7kW (3.62HP)
- ♦ 24V 4.5kW (6.03HP)
- ♦ Recommended for diesel applications
- ♦ Machined Aluminum Adapter Block
- ♦ Adjustable drive end housing



50000 Series

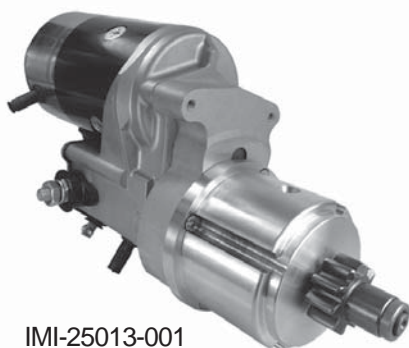
- ♦ 12V 5.0kW (6.70HP)
- ♦ Recommended for diesel applications
- ♦ Machined Aluminum Adapter Block
- ♦ Adjustable drive end housing



IMI-147-001



IMI-154-001



IMI-25013-001



IMI-155-002

ALFA ROMEO

Model	IMI	Gear	kW	Note
8 tooth				
1.3L	IMI-147-002	8	1.2	
1.6L	IMI-147-002	8	1.2	
1.75L	IMI-147-002	8	1.2	
2.0L	IMI-147-002	8	1.2	
9 tooth				
1.3L	IMI-147-001	9	1.2	
1.6L	IMI-147-001	9	1.2	
1.75L	IMI-147-001	9	1.2	
2.0L	IMI-147-001	9	1.2	
1900	IMI-122-069	9	1.2	
75 2.5L	IMI-101-005	9	1.2	1989-92
75 3.0L	IMI-101-005	9	1.2	1989-92
GTV	IMI-101-005	9	1.2	1986-89
Milano	IMI-101-005	9	1.2	1986-89
Spider 2.0L	IMI-154-001	9	1.2	1986-94

ALLIS CHALMERS

Model	IMI	Gear	kW	Note
WD	IMI-25013-001	10	2.7	CCW
WD45	IMI-25013-001	10	2.7	CCW

AMC

Model	IMI	Gear	kW	Note
1965-1970				
3.8L	IMI-135-001	9	1.2	
1966-1986				
2.3L	IMI-913	11	1.2	
2.7L	IMI-913	11	1.2	
2.9L	IMI-913	11	1.2	
3.0L	IMI-913	11	1.2	
3.4L	IMI-913	11	1.2	
3.6L	IMI-913	11	1.2	
3.9L	IMI-913	11	1.2	
4.0L	IMI-913	11	1.2	

ASTON MARTIN

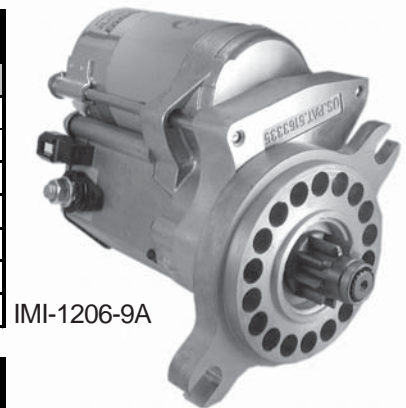
Model	IMI	Gear	kW	Note
DB4, DB5, DB6, DBS	IMI-216-004	10	2.0	
MKII	IMI-216-004	10	2.0	

AUDI

Model	IMI	Gear	kW	Note
80	IMI155-002	9	1.4	
90	IMI155-002	9	1.4	
90	IMI-233-004	9	1.4	1988
100	IMI155-002	9	1.4	
4000	IMI-233-004	9	1.4	1981-87

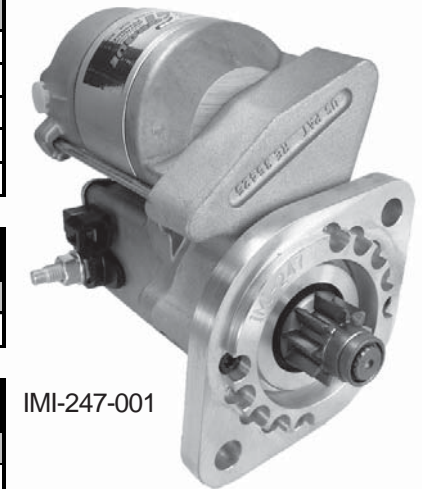
AUDI

Model	IMI	Gear	kW	Note
5000	IMI-155-002	9	1.4	
5000 Diesel	IMI-155-003	9	2.0	
A4	IMI-215-008	10	1.4	
Coupe	IMI-233-004	9	1.4	
Q7 Truck	IMI-215-008	10	1.4	
S4	IMI155-002	9	1.4	
S6	IMI155-002	9	1.4	



AUSTIN

Model	IMI	Gear	kW	Note
America	IMI-1206-9AA	9	1.2	
Healey 100-6	IMI-1206-10	10	1.2	
Healey 3000	IMI-1206-10	10	1.2	
Healey Sprite	IMI-1206-9A	9	1.2	
Mini Cooper 850	IMI-1206-9AA	9	1.2	

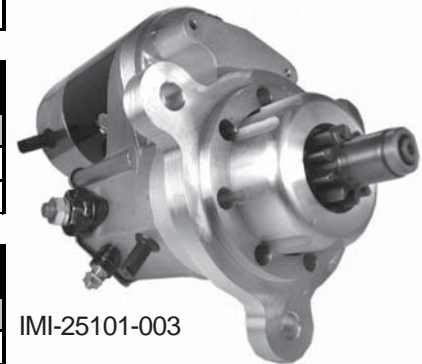


BOBCAT

Model	IMI	Gear	kW	Note
Yanmar Engine	IMI-214-019	9	1.4	

BOLENS ISEKI

Model	IMI	Gear	kW	Note
TX1300, 1300F	IMI-247-001	9	1.2	
G152, 154	IMI-247-001	9	1.2	
TC1500, 1500F	IMI-247-001	9	1.2	



BENTLY

Model	IMI	Gear	kW	Note
S Series	IMI-220-002	9	1.4	
All 73-89	IMI-241L	9	1.4	

BELARUS Tractors

Model	IMI	Gear	kW	Note
2cyl, 4cyl	IIM-25101-003	10	2.7	12V
4cyl Turbo	IMI-45101-003	10	4.5	24V

BUICK

Model	IMI	Gear	kW	Note
215	IMI-114B	9	1.2	
231, 350, 401	IMI-102-004	9	1.2	
401, 460, 455	IMI-102-004N	9	1.4	
Nail Head				
401, 425 Early	IMI-215BNL	9	1.2	
401, 425 Late	IMI-215BN	9	1.2	
364	IMI-150-001	9	1.2	1959-60
401	IMI-150-001	9	1.2	1959-60
322, 264	IMI-302-002	9	1.2	
LeSabre	IMI-150-001	9	1.2	1960





IMI-156-001



IMI-235-001



IMI-301-002



IMI-140-001

BUICK

Model	IMI	Gear	kW	Note
Straight 8				
40	IMI-302-009	9	1.2	
50	IMI-302-009	9	1.2	
V8				
1953-56	IMI-302-002	9	1.2	

CADILLAC

Model	IMI	Gear	kW	Note
368, 425, 472, 500	IMI-102-004N	9	1.4	
365, 390	IMI-156-001	9	1.2	
Eldorado	IMI-124-001	9	1.2	FWD

CASE

Model	IMI	Gear	kW	Note
Lift Truck				
586D, 585D, 584D	IMI-25002-028	10	2.7	
Tractor				
1120, 1130, 1140	IMI-235-001	15	1.2	
234, 235, 245, 255	IMI-235-001	15	1.2	
265 Offset	IMI-235-002	15	2.0	
275	IMI-235-002	15	2.0	
420B	IMI-118-004	9	1.4	
423	IMI-118-005	9	1.2	
Uniloaders				
1825	IMI-255-001	9	1.2	
1845S	IMI-25002-028	10	2.7	

CHEVROLET

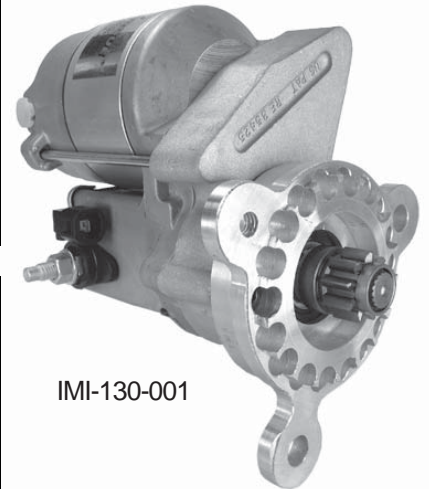
Model	IMI	Gear	kW	Note
Small Block				
Standard	IMI-102	9	1.2	153 and 168 tooth flywheel
High Compression	IMI-102N	9	1.4	154 and 168 tooth flywheel
Race	IMI-902	9	2.0	155 and 168 tooth flywheel
Staggered Mount	IMI-228-001	11	1.4	168 tooth only
High Compression	IMI-935	11	2.0	168 tooth only
Late LS	IMI-140-001	11	1.4	
Bell Housing Mount	IMI-301-002	9	1.2	
Big Block				
Standard	IMI-102N	9	1.4	154 and 168 tooth flywheel
High Compression	IMI-902	9	2.0	155 and 168 tooth flywheel
Staggered Mount	IMI-228-001	11	1.4	168 tooth only
High Compression	IMI-935	11	2.0	168 tooth only
Covair				
2.4L	IMI-115-001	9	1.2	
2.7L	IMI-115-001	9	1.2	
Volkswagen Conversion	IMI-101R	9	1.2	
Diesel				
6.2L, 6.5L	IMI-25005	13	2.7	12V
6.2L, 6.5L	IMI-45005	13	4.5	24V
Duramax	IMI-250	9	2.2	

CHEVROLET Industrial

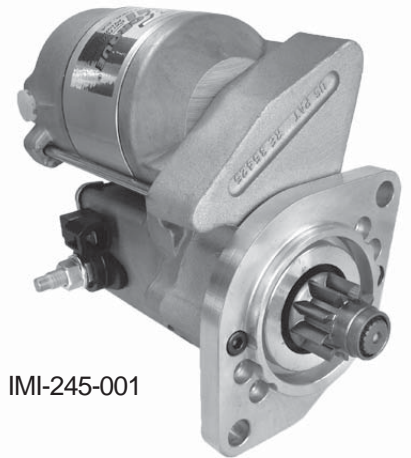
Model	IMI	Gear	kW	Note
GM				
1.7L	IMI-243-001	10	1.2	
2.2L	IMI-254-001	11	1.4	
2.4L	IMI-243-001	10	1.2	
3.0L	IMI-211-001	11	1.2	
4.3L Pad Mount	IMI-228-001	11	1.4	
4.3L Bellhousing	IMI-234-001	10	1.4	Wet Clutch
Medium Duty				
Topkick / Kodiak	IMI-130-001	9	1.2	
P-Series	IMI-130-001	9	1.2	1989
C80	IMI-130-001	9	1.2	
C8500	IMI-130-001	9	1.2	
HE70	IMI-130-001	9	1.2	
Heavy Duty				
TE50	IMI-130-001	9	1.2	
TE65	IMI-130-001	9	1.2	
HE70	IMI-130-001	9	1.2	



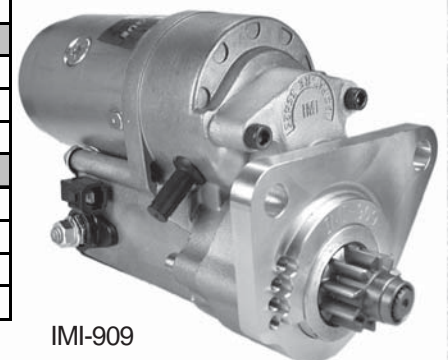
IMI-211-001



IMI-130-001



IMI-245-001



IMI-909

CHINESE Tractor

Model	IMI	Gear	kW	Note
Engine				
2cyl DSL	IMI-245-001	9	1.2	
4105	IMI-45002-030	11	4.5	24V
495DZ-1	IMI-232-40	11	2.0	
TY395	IMI-232-24	11	2.0	
TY295	IMI-232-24	11	2.0	
TY95	IMI-232-30	11	2.0	
Y380	IMI-232-18	11	2.0	

CHRYSLER

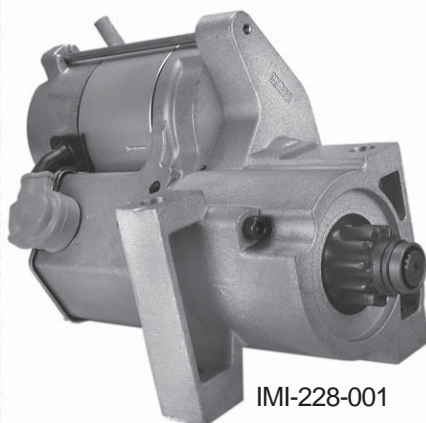
Model	IMI	Gear	kW	Note
Mopar				
Fixed	IMI-109	10	1.4	
Rotatable	IMI-909N	10	1.4	
Racing	IMI-909	10	2.0	
Dodge Plymouth				
318	IMI-138-001	9	1.2	2 Bolt replaces three bolt
361	IMI-138-001	9	1.2	2 Bolt replaces three bolt
383	IMI-138-001	9	1.2	2 Bolt replaces three bolt
1965-1969				
5.9L	IMI-126-001	9	1.2	
6.3L	IMI-126-002	10	1.2	
6.8L	IMI-126-003	11	1.2	
Marine				
Various IB 1960-79	IMI-138-002	9	1.2	2 Bolt replaces three bolt
1969-1975	IMI-126-002	9	1.2	Clockwise
1970-1988	IMI-126-003	9	1.4	Counter Clockwise
SD33	IMI-249-001	11	2.0	



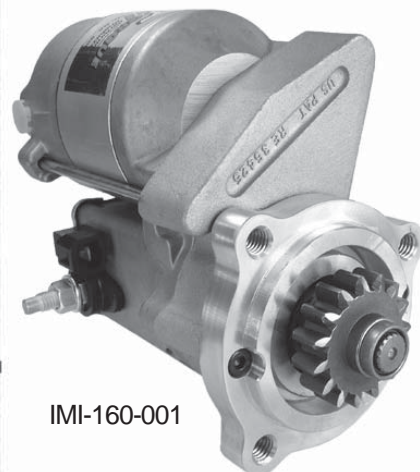
IMI-165-001



IMI-203-001



IMI-228-001



IMI-160-001

COCKSHUTT

Model	IMI	Gear	kW	Note
Hercules Engine				
550	IMI-165-001	10	1.4	
552	IMI-165-001	10	1.4	
570	IMI-165-001	10	1.4	
Combine				
7	IMI-209-005	10	1.2	12V to replace 6V
Diesel				
35, 65, 88	IMI-25002-031	12	2.7	
1350	IMI-25002-002	10	2.7	
1550	IMI-25002-002	10	2.7	
1650	IMI-25002-002	10	2.7	
1900	IMI-25101-002	12	2.7	

CLARK

Model	IMI	Gear	kW	Note
4G32	IMI-203-001	11	1.2	
4G52, 4G54	IMI-203-001	11	1.2	
4G63, 4G64	IMI-203-001	11	1.2	
643	IMI-25002-016	12	2.7	
743B	IMI-25002-016	12	2.7	
753	IMI-25002-016	12	2.7	
C500-100/110/120	IMI-25002-014	10	2.7	
C500-130/135/155	IMI-25002-014	10	2.7	
C500-60/70/80	IMI-25002-014	10	2.7	
Continental				
F-245	IMI-241-006	9	1.4	
TM13	IMI-241-001	10	1.4	
TM20	IMI-241-001	10	1.4	
TM27	IMI-241-002	10	1.4	
GM				
3.0L	IMI-211-001	11	1.2	
4.3L Pad Mount	IMI-228-001	11	1.4	
4.3L Bellhousing	IMI-234-001	10	1.4	Wet Clutch
Waukesha				
155	IMI-241-006	9	1.4	
176	IMI-241-006	9	1.4	
Perkins				
4-203D	IMI-25002-003	10	2.7	

CUSHMAN

Model	IMI	Gear	kW	Note
Various	IMI-160-001	15	1.2	CCW

DAEWOO

Model	IMI	Gear	kW	Note
Peugeot				
XN1P	IMI-207-001	9	1.2	Short PD
	IMI-207-002	9	1.2	Long PD
Diesel	IMI-207-003	9	2.0	

DEUTZ Tractors

Gas				
KHD	IMI-215-11	11	2.0	
	IMI-215-9	9	2.0	
Diesel				
F3L912	IMI-25002-009	9	2.7	
F4L912	IMI-25002-009	9	2.7	

FARYMAN

Model	IMI	Gear	kW	Note
Marine				
36 A/E	IMI-122-005	9	1.4	
41 A/E	IMI-122-005	9	1.4	
A30 A40	IMI-122-005	9	1.4	
15W	IMI-122-021	9	1.4	
18W	IMI-122-021	9	1.4	
32 A/W	IMI-122-021	9	1.4	

FERRARI

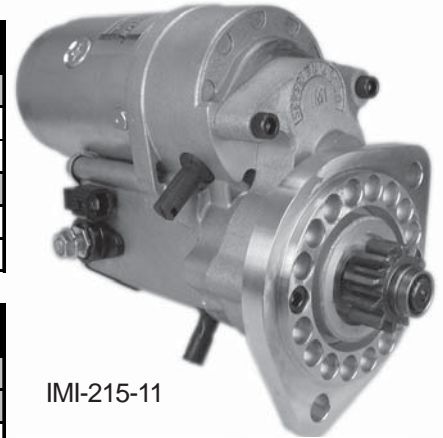
Model	IMI	Gear	kW	Note
208	IMI-159-004	11	1.4	
250	IMI-122-030	9	1.4	
288	IMI-159-004	11	1.4	
308	IMI-159-004	11	1.4	
328	IMI-159-004	11	1.4	
330	IMI-161-001	9	1.4	
365	IMI-161-001	9	1.4	
Daytona 275	IMI-161-001	9	1.4	
Daytona 400	IMI-161-001	9	1.4	
Dino 246	IMI-122-010	11	1.4	
Mondial	IMI-159-004	11	1.4	
Mondial T	IMI-168-001	9	1.4	

FIAT

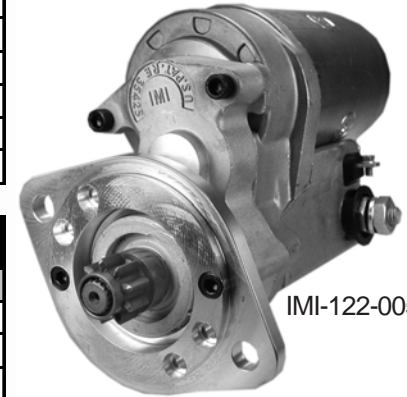
Model	IMI	Gear	kW	Note
124	IMI-159-001	11	1.2	
128	IMI-158-001	9	1.2	
131	IMI-159-001	11	1.2	
850	IMI-153-001	9	1.4	
Brava	IMI-159-001	11	1.2	
Lancia	IMI-159-001	11	1.2	
Strada	IMI-149-001	9	1.2	
X 1/9 Early	IMI-158-001	9	1.2	
X 1/9 Late	IMI-149-001	9	1.2	

FIAT Industrial

Model	IMI	Gear	kW	Note
Fiat-Hesston				
F100-140	IMI25103-001	9	2.7	1988-93
55.65-60.90	IMI-25103-002	9	2.7	1988-89



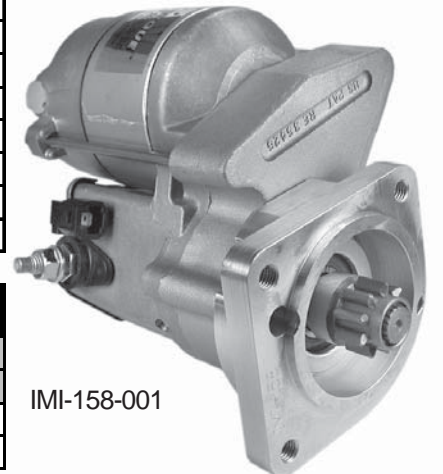
IMI-215-11



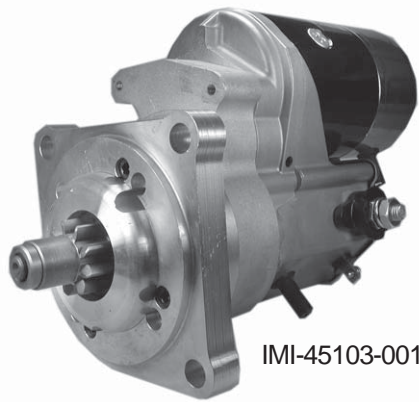
IMI-122-005



IMI-161-001



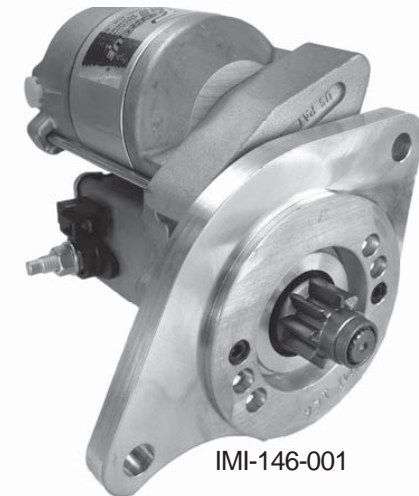
IMI-158-001



IMI-45103-001



IMI-148-001



IMI-146-001



IMI-1106

FIAT Industrial

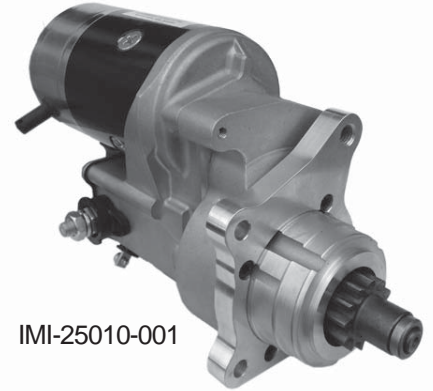
Model	IMI	Gear	kW	Note
Fiat-Allis Crawler				
5	IMI-45002-029	9	4.5	
8, 8BL	IMI-45002-029	9	4.5	
Excavator				
FE-12	IMI-45103-002	9	4.5	
S-60	IMI-45103-002	9	4.5	
Tractor				
411	IMI-45208-002	9	4.5	
415	IMI-45208-002	9	4.5	
Wheel Loader				
FR-7B	IMI-45103-002	9	4.5	1983-85
FR-7B	IMI-45002-029	9	4.5	
FR-9B	IMI-45002-029	9	4.5	
Various	IMI-45103-001	9	4.5	1985-95

FORD

Model	IMI	Gear	kW	Note
Model A				
	IMI-148-001	10	1.2	12V
Flat Head				
Early	IMI-117L	10	1.2	12V
Late	IMI-117	10	1.2	12V
Small Block				
Automatic C4	IMI-106	9	1.2	
High Compression	IMI-106N	9	1.4	
High RPM	IMI-1106	11	1.4	
Automatic C6	IMI-106T	9	1.2	Threaded
High Compression	IMI-106TN	9	1.4	Threaded
High RPM	IMI-1106T	11	1.4	Threaded
Manual	IMI-107	9	1.2	
High Compression	IMI-107N	9	1.4	
Big Block				
Automatic C6	IMI-106TN	9	1.4	Threaded
High Compression	IMI-906T	9	2.0	Threaded
Manual	IMI-106N	9	1.4	
High Compression	IMI-906	9	2.0	
Straight Six				
3.3L	IMI-144	9	1.2	
FE 390, 428				
	IMI-106FE	9	1.2	
Y Block				
	IMI-106-929	9	1.2	
Late Model				
4.6L 1992-2003	IMI-125	12	1.2	
2300cc 4 Cyl.	IMI-119Z	9	1.4	
Capri 3.0L	IMI-146-001	9	1.2	1967-81
Contour	IMI-121-001	9	1.2	1995-00

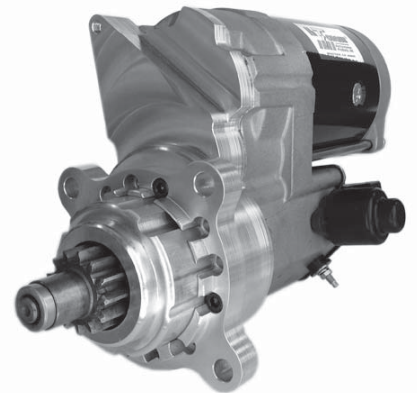
FORD

Model	IMI	Gear	kW	Note
Consul 3.0L	IMI-146-001	9	1.2	1972-75
Focus	IMI-121-001	9	1.2	2000-04
Duratec	IMI-163-001	9	1.4	
GT40	IMI-146-001	9	1.2	
Diesel				
6.0L	IMI-25010-001	12	2.7	
7.3L	IMI-50009-003	13	5.0	
Marine				
Bottom Mount	IMI-106NRM	9	1.4	Reverse Rotation
Top Mount	IMI-301-003	9	1.4	



FORD Industrial

Model	IMI	Gear	kW	Note
Tractor				
2N, 8N, 9N	IMI-120-001	9	1.2	12V
1000, 1500, 1600	IMI-122-019	9	2.0	
2110	IMI-122-019	9	2.0	
Diesel				
3 Cyl	IMI-216-001	10	2.0	
4 Cyl	IMI-25216-001	10	2.7	
6 Cyl	IMI-25216-001	10	2.7	
Industrial				
5.9L	IMI-25002-023	10	2.7	
Marine	IMI-25002-023M	10	2.7	
HD Trucks	IMI-226-001	9	1.2	12V



HILMAN

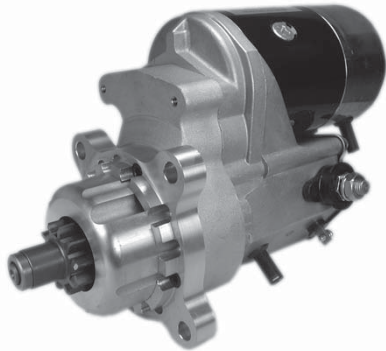
Model	IMI	Gear	kW	Note
Imp	IMI-1206-9AA	9	1.2	
Husky	IMI-1206-9A	9	1.2	
Minx, Super Minx	IMI-1206-9A	9	1.2	



HYSTER

Model	IMI	Gear	kW	Note
Mazda				
FE	IMI-201-001	11	1.2	
VA	IMI-201-001	11	1.2	
Late Model	IMI-201-003	11	1.2	
Fortis	IMI-242-001	11	1.4	
GM				
2.2L	IMI-254-001	11	1.4	
2.4L	IMI-243-001	10	1.2	
3.0L	IMI-211-001	11	1.2	
4.3L	IMI-228-001	11	1.4	
4.3L Bellhousing	IMI-234-001	10	1.4	Wet Clutch
GM Diesel				
1.7L	IMI-243-001	10	1.2	
3.0L	IMI-243-001	10	1.2	





IMI-25002-001

HYSTER

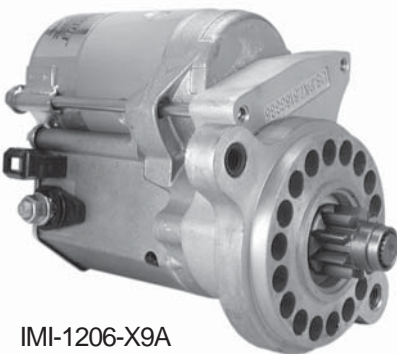
Model	IMI	Gear	kW	Note
Perkins 3.152				
1975	IMI-25002-001	10	2.7	Bt Right
1983-86	IMI-25002-001	10	2.7	Bt Right
Lift Truck				
H-130	IMI-25002-002	10	2.7	Bt Left
P-165	IMI-25002-002	10	2.7	Bt Left
S-80B	IMI-25002-002	10	2.7	Bt Left



IMI-302-012

INTERNATIONAL

Model	IMI	Gear	kW	Note
Scout				
II, 80, 800	IMI-302-012	9	1.2	
Industrial				
B-144, B-154	IMI-25002-007	10	2.7	
F4L912	IMI-25002-009	9	2.7	
D-358	IMI-25002-011	9	2.7	
Tractor				
D179, D206, D268, D312	IMI-25002-008	10	2.7	
2 Bolt	IMI-25208-001	10	2.7	CCW
3 Bolt	IMI-25002-002R	10	2.7	CCW



IMI-1206-X9A

JAGUAR

Model	IMI	Gear	kW	Note
Borg Warner A/T	IMI-241-013	10	1.4	
MK X 65-66	IMI-1206-X9A	9	1.2	4.2L
MK X (M/T) 62-64	IMI-1206-10	10	1.2	4.2L
XJ6, Vanden Plas 88-96	IMI-1206-10	10	1.2	3.6L, 4.2L
XJ6, Vanden Plas 73-87	IMI-1206-X9A	9	1.2	4.2L
XJ6 69-72	IMI-1206-X9A	9	1.2	4.2L
XJ12 93-96	IMI-1206-X9S	9	1.2	6.0L
XJ12 73-79	IMI-1206-X9S	9	1.2	5.3L
XJS, HE, Cabriolet 75-96	IMI-1206-X9S	9	1.2	5.3L, 6.0L
XKE 72-75	IMI-1206-X9S	9	1.2	5.3L
XKE 72	IMI-1206-008	9	1.2	4.2L
XKE 65-71	IMI-1206-X9A	9	1.2	4.2L
XKE 61-64	IMI-1206-10	10	1.2	4.2L
420, G 67-68	IMI-1206-X9A	9	1.2	3.8L



IMI-134-001

JEEP

Model	IMI	Gear	kW	Note
Willys				
CJ38, CJ5, CJ6	IMI-122-009	9	1.2	12V
Pickup	IMI-122-009	9	1.2	12V
Station Wagon	IMI-122-009	9	1.2	12V
Sedan	IMI-122-009	9	1.2	12V
97 Tooth Flywheel	IMI-134-001	9	1.2	12V
124 Tooth Flywheel	IMI-134-002	9	1.2	12V
129 Tooth Flywheel	IMI-122-009	9	1.2	12V

JEEP

Model	IMI	Gear	kW	Note
Truck				
5.4L	IMI-131-001	9	1.2	Replaces Coaxial
1966-1986				
2.3, 2.7, 2.9L	IMI-913	11	1.2	
3.0, 3.4L	IMI-913	11	1.2	
3.6, 3.9L	IMI-913	11	1.2	
4.0L	IMI-913	11	1.2	
Late Model 1987-1993				
4.0, 5.2, 5.9L	IMI-913B	11	1.2	



JLG

Model	IMI	Gear	kW	Note
Cummins 3.3L	IMI-256-001	11	2.2	



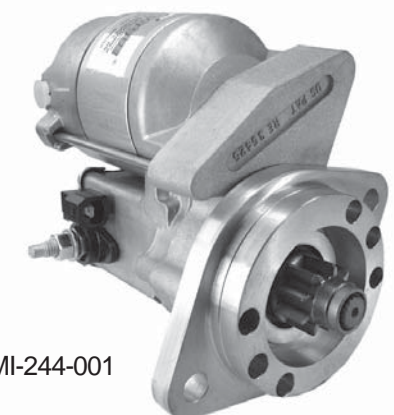
KELMAR AC

Model	IMI	Gear	kW	Note
Gas				
4G52,G	IMI-203-001	11	1.2	
H20	IMI-202-001	11	1.2	
Hercules	IMI-241-001	10	1.4	
K21, K25	IMI-244-001	9	1.2	
TB42	IMI-229-003	9	1.4	
Diesel				
4D52	IMI-3100-001	11	2.7	Dry Clutch



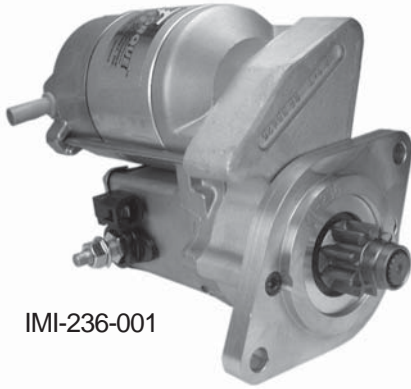
KIOTI

Model	IMI	Gear	kW	Note
CK25-30	IMI-122-050	9	1.4	Daedong Engine
DK35-55	IMI-122-050	9	1.4	Daedong Engine
LK30-3504	IMI-122-050	9	1.4	Daedong Engine
CK20	IMI-229-007	8	1.2	
LB1914	IMI-229-007	8	1.2	



KUBOTA

Model	IMI	Gear	kW	Note
Engine				
5416	IMI-122-041	9	1.4	
DSL	IMI-203-003	11	1.2	
M-20	IMI-122-041	9	1.4	
Generator				
GL6500S	IMI-236-001	9	1.2	
GV3190QSW	IMI-122-070	9	1.4	
L553	IMI-122-070	9	1.4	
L555	IMI-122-070	9	1.4	
Mower				
FZ2400	IMI-236-001	9	1.2	
FZ2100	IMI-236-001	9	1.2	



IMI-236-001



IMI-202-001



IMI-229-003



IMI-25101-002

KUBOTA

Model	IMI	Gear	kW	Note
Tractor				
B21TL	IMI-122-058	9	1.4	
B21TLB	IMI-122-058	9	1.4	
B2150HSD	IMI-236-001	9	1.2	
B2150HSDT	IMI-236-001	9	1.2	
B2150HSDTB	IMI-236-001	9	1.2	
B26	IMI-203-003	11	1.2	
B27010	IMI-203-003	11	1.2	
B2910	IMI-203-003	11	1.2	
B9200DT	IMI-236-001	9	1.2	
B9200HSD	IMI-236-001	9	1.2	
E22	IMI-122-071	8	1.4	
KC15	IMI-122-062	9	1.2	
L185	IMI-122-041	9	1.4	
L185F	IMI-122-041	9	1.4	
L275F	IMI-122-062	9	1.2	
L275DT	IMI-122-062	9	1.2	
L260F	IMI-122-060	11	1.4	CCW
L39	IMI-122-071	8	1.4	
L4440DT	IMI-122-071	8	1.4	
L4630DT-F	IMI-122-071	8	1.4	
General	IMI-25216-003	1	2.7	

KOMATSU

Model	IMI	Gear	kW	Note
Gas				
Excavator	IMI-214-011	9	2.2	
H20	IMI-202-001	11	1.2	
Hercules	IMI-241-001	10	1.4	
K21	IMI-244-001	9	1.2	
K25	IMI-244-001	9	1.2	
TB42	IMI-229-003	9	1.4	
Diesel				
4D52	IMI-3100-001	11	2.7	Dry Clutch
6D95	IMI-25101-007	11	2.7	

LINCOLN WELDER

Model	IMI	Gear	kW	Note
Continental				
F-162 Engine	IMI-118-002	10	1.2	
F-266 Engine	IMI-118-002	10	1.2	
F-244 Engine	IMI-25002-002	10	2.7	
DD 2-53 Diesel	IMI-25101-002	12	2.7	
Kubota				
DH850B	IMI-236	9	1.2	
Hercules				
G-3400	IMI-118-002	10	1.2	
GO339	IMI-234-001	10	1.2	
QXLD-3	IMI-25002-002	10	2.7	

LINCOLN WELDER

Model	IMI	Gear	kW	Note
Diesel				
International Harvester	IMI-118-005	9	1.2	
Model Ground Power Unit	IMI-25002-002	10	2.7	
Perkins Engine	IMI-25002-001	10	2.7	

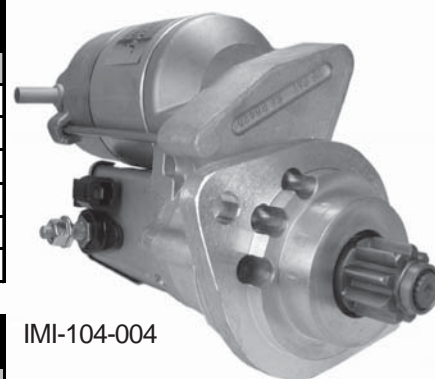


LINDE

Model	IMI	Gear	kW	Note
Various	IMI-215-008	9	1.4	

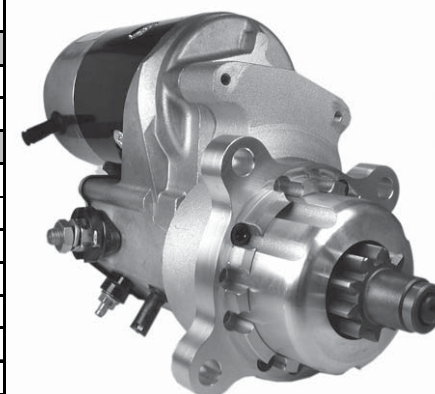
LOTUS

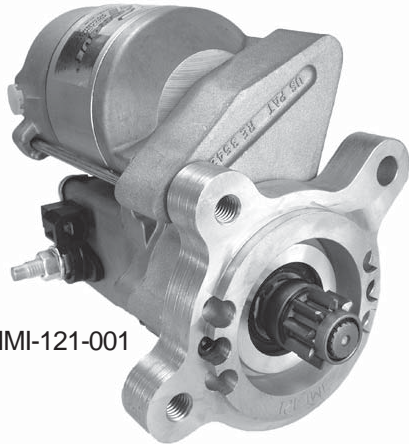
Model	IMI	Gear	kW	Note
Elan	IMI-1206-9AA	9	1.2	
Elite	IMI-1206-9A	9	1.2	
Eclat	IMI-1206-9A	9	1.2	
Espirit, MKII	IMI-1206-9A	9	1.2	
Excel	IMI-1206-9A	9	1.2	
Super Seven	IMI-1206-9AA	9	1.2	



MASSEY FERGUSON Tractors

Model	IMI	Gear	kW	Note
MF-50				
	IMI-25002-008	10	2.7	
Cont. Z-134 Gas	IMI-104-004	9	1.2	
	IMI-104-004	9	1.2	
MF-65				
Cont. G-176 Gas	IMI-104-004	9	1.2	
	IMI-104-004	9	1.2	
MF-92				
Perkins 4A-300 Diesel	IMI-25002-002	10	2.7	
MF-92				
Diesel	IMI-25002-002	10	2.7	
MF-135				
Cont. G-145 Gas	IMI-104-004	9	1.2	
	IMI-104-004	9	1.2	
MF-165				
Cont. G-176 Gas	IMI-104-004	9	1.2	
	IMI-104-004	9	1.2	
Perkins				
130	IMI-25216-008	12	2.7	
4-212 Gas	IMI-234-001	10	2.0	
AD4-236	IMI-25002-002	10	2.7	
AD3-152	IMI-25002-002	10	2.7	
AD4-248	IMI-25002-002	10	2.7	
AD4-212	IMI-234-001	10	2.0	
AD4-203 Diesel	IMI-25002-007	10	2.7	
MF-205	IMI-214-006	9	2.0	
MF-210	IMI-214-006	9	2.0	
MF-210-4	IMI-214-006	9	2.0	





IMI-121-001



IMI-1206-10



IMI-235-001



IMI-207-001

MASSEY FERGUSON Tractors

Model	IMI	Gear	kW	Note
Tractor				
20, 21, 23, 25, 30	IMI-209-003	10	1.2	12V
MF-384	IMI-25002-007	10	2.7	Bt Left
MF-394	IMI-25002-007	10	2.7	Bt Left
MF-397/T	IMI-25002-007	10	2.7	Bt Left
MF-450	IMI-25002-005	10	2.7	Bt Right
MF-1200	IMI-25002-005	10	2.7	Bt Right
Waukesha				
F-320-G	IMI-104-004	9	1.2	
F-420-G	IMI-104-004	9	1.2	

MERCURY

Model	IMI	Gear	kW	Note
Cougar	IMI-121-001	9	1.2	1999-02
Mystique	IMI-121-001	9	1.2	1995-00

MG

Model	IMI	Gear	kW	Note
MGA	IMI-1206-9A	9	1.2	
MGB	IMI-1206-9A	9	1.2	1963-67
MGB, GT	IMI-1206-10A	10	1.2	1968-80
Midget				
1.5L, 1.3L	IMI-1206-9A	9	1.2	
TC	IMI-1206-10	10	1.2	
TD	IMI-1206-9A	9	1.2	
TF	IMI-1206-9A	9	1.2	1.3L 1.5L

MITSUBISHI Industrial

Model	IMI	Gear	kW	Note
Engine				
K4F	IMI-235-001	15	1.2	
K4E	IMI-235-001	15	1.2	
K3M	IMI-235-002	15	2.0	
K4E, K4E	IMI-235-002	15	2.0	
KE70	IMI-247-001	9	1.2	
KE75	IMI-247-001	9	1.2	
372	IMI-247-001	9	1.2	

MITSUBISHI CATERPILLAR

Model	IMI	Gear	kW	Note
Continental F-163				
T25, T40, T45, T50	IMI-122-003	10	1.4	
T30B, T30C	IMI-206-001	9	1.4	
Continental F-227				
T70C, T80C, T90C	IMI-206-001	9	1.4	
Peugeot				
XN1P	IMI-207-001	9	1.2	Short PD
	IMI-207-002	9	1.2	Long PD
Diesel	IMI-207-003	9	2.0	

MITSUBISHI CATERPILLAR

Model	IMI	Gear	kW	Note
Gas				
4G33, 4G52, 4G64	IMI-203-001	11	1.2	
4G63, 4G64	IMI-203-001	11	1.2	
H20	IMI-202-001	11	1.2	
K21	IMI-244-001	9	1.2	
K25	IMI-244-001	9	1.2	
Perkins 4.236G	IMI-234-001	10	2.0	Wet Clutch
White 1404	IMI-241-001	10	1.4	
Diesel				
4-248	IMI-25002-004	10	2.7	



IMI-241-001

MORGAN

Model	IMI	Gear	kW	Note
Plus 4, 4/4	IMI-1206-10	10	1.2	
4/4, GT	IMI-1206-9AA	9	1.2	1963-67
4/4	IMI-205-001	10	1.2	1982-88
Plus Eight				
3.5L	IMI-114	9	1.2	1967-88
3.5L, EFI	IMI-114	9	1.2	1984-90
3.9L	IMI-114	9	1.2	1990-On



IMI-45103-001

NASH

Model	IMI	Gear	kW	Note
Metropolitan	IMI-1206-9A	9	1.2	1948-61

NEW HOLLAND

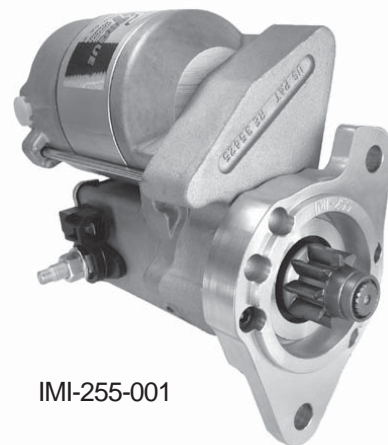
Model	IMI	Gear	kW	Note
Skid Steer				
L553	IMI-122-070	9	1.4	
L555	IMI-122-070	9	1.4	
Wheel Loader				
LW90, LW110	IMI-45103-001	9	4.5	
LW130, LW130TC	IMI-45103-001	9	4.5	



IMI-234-001

NISSAN

Model	IMI	Gear	kW	Note
110	IMI-255-001	9	1.2	
210	IMI-255-001	9	1.2	
D11	IMI-213-001	9	1.2	
H20	IMI-202-001	11	1.2	
K21	IMI-244-001	9	1.2	
K25	IMI-244-001	9	1.2	
SD22	IMI-229-001	9	2.0	
SD25	IMI-229-001	9	2.0	
TB42	IMI-229-003	9	1.4	
Z24	IMI-202-001	11	1.2	
Datsun 2000	IMI-202-001	11	1.2	



IMI-255-001



IMI-45102-002



IMI-124-001



IMI-108-001



IMI-209-005

NISSAN

Model	IMI	Gear	kW	Note
UD Medium Duty				
F05 1999-04	IMI-249-001	11	2.2	
F05 2005-09	IMI-45102-001	11	4.5	24V
18CS 1999-04	IMI-249-001	11	2.2	
18CS 2005-09	IMI-45102-001	11	4.5	24V
30SD, HD	IMI-45102-002	11	2.7	1992-94
600T	IMI-45102-002	11	2.7	1992-94
1200, 1400 1999-04	IMI-249-001	11	2.2	
1200, 1400 2005-09	IMI-45102-001	11	4.5	24V
2600, 2800, 3000	IMI-45102-002	11	2.7	12V

OLDSMOBILE

Model	IMI	Gear	kW	Note
Bellhousing Mount				
Early 146 tooth Flywheel	IMI-122-001	9	1.2	
Early 172 tooth Flywheel	IMI-122-002	9	1.2	
Tornado	IMI-124-001	9	1.2	FWD
V8				
Pad Mount	IMI-108	9	1.2	
High Compression	IMI-108N	9	1.4	
Race	IMI-908	9	2.0	

OLIVER

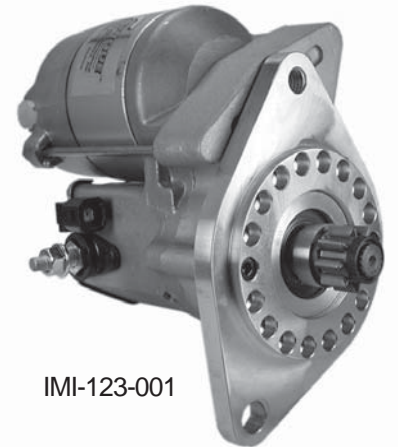
Model	IMI	Gear	kW	Note
Lift Truck				
552	IMI-25002-002	10	2.7	
Tractor				
55/550	IMI-234-001	10	2.0	
70/770	IMI-234-001	10	2.0	
88/880	IMI-234-001	10	2.0	
1800/1850	IMI-234-001	10	2.0	
HG	IMI-209-005	10	1.2	12V to replace 6V
OC3	IMI-209-005	10	1.2	12V to replace 6V
Hercules 1XK3	IMI-209-005	10	1.2	12V to replace 6V

PERKINS

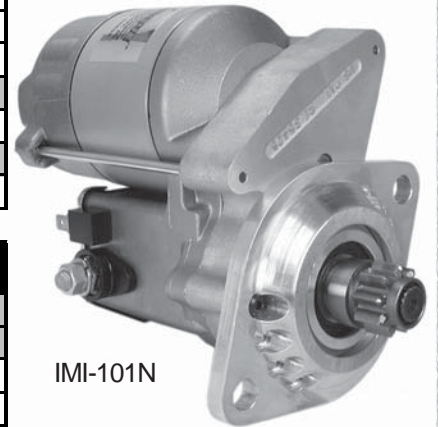
Model	IMI	Gear	kW	Note
103-13	IMI-230-006	9	2.0	
103-15	IMI-230-006	9	2.0	
104-19	IMI-230-006	9	2.0	
104-22	IMI-230-006	9	2.0	
404C-22	IMI-230-006	9	2.0	
404C22G	IMI-230-006	9	2.0	
404C22T	IMI-230-006	9	2.0	
1103D-33	IMI-241-004	10	2.0	
1103D-33R	IMI-241-004	10	2.0	
1104D-44	IMI-241-004	10	2.0	

PERKINS

Model	IMI	Gear	kW	Note
Engine				
4-105	IMI-25002-019	12	2.7	
4-154	IMI-25002-036	13	2.7	
4-224	IMI-241-003	10	2.0	
4-403	IMI-241-003	10	2.0	
6-354	IMI-25002-005	10	2.7	
6-365	IMI-241-003	10	2.0	
S4S	IMI-25002-022	10	2.7	
Generator				
Various	IMI-25002-005	10	2.7	Bt Right
	IMI-25002-005	10	2.7	Bt Left
704-30	IMI-25002-036	13	2.7	
M504-2	IMI-25002-036	13	2.7	
Marine				
Various	IMI-25002-019	12	2.7	
Wranger Loader				
4 Cyl	IMI-25002-019	12	2.7	



IMI-123-001



IMI-101N



IMI-155-001



IMI-170-002

PONTIAC

Model	IMI	Gear	kW	Note
Bellhousing Mount				
5.2, 6.1, 6.4L	IMI-155-004	9	1.2	1958-60
195	IMI-162-001	9	1.2	
6.4L	IMI-123-001	9	1.2	1961-64
6.9L	IMI-123-001	9	1.2	1961-64
High Compression	IMI-123-001N	9	1.4	
V8				
Pad Mount	IMI-108	9	1.2	
High Compression	IMI-108N	9	1.4	
Race	IMI-908	9	2.0	

PORSCHE

Model	IMI	Gear	kW	Note
356	IMI-105	9	1.2	
911				
Early	IMI-101N	9	1.4	
Late	IMI-170-001	10	1.4	1990-98
912	IMI-101N	9	1.4	
914, 914/6	IMI-101N	9	1.4	
924	IMI-155-002	9	1.4	
924S	IMI-155-001	9	1.4	
928	IMI-101-928	11	1.4	
930	IMI-101N	9	1.4	
931, 944	IMI-155-001	9	1.4	
Cayenne	IMI-215-008	10	1.4	
G50				
Standard	IMI-170-001	10	1.4	
High Performance	IMI-170-002	10	2.0	



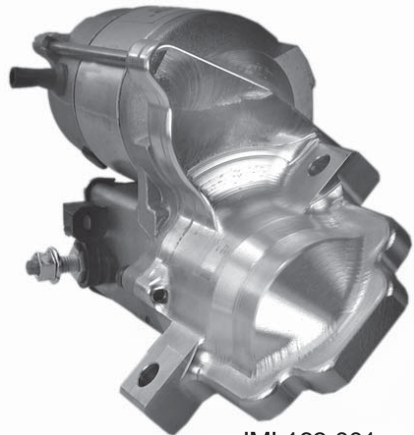
IMI-220-002



IMI-50402-001



IMI-50002-009



IMI-163-001

ROLLS ROYCE

Model	IMI	Gear	kW	Note
Camargue 75-89	IMI-241L	9	1.4	
Corniche 73-89	IMI-241L	9	1.4	
Silver Cloud 59-66	IMI-220-002	9	1.4	
Silver Shadow 73-89	IMI-241L	9	1.4	
Silver Spirt 80-87	IMI-241L	9	1.4	
Silver Spur 80-87	IMI-241L	9	1.4	

ROVER

Model	IMI	Gear	kW	Note
Defender	IMI-114	9	1.2	3.9L
Discovery	IMI-114	9	1.2	3.9L
Landrover	IMI-1206-11	11	1.2	2.6L
Range Rover (All Models)	IMI-114	9	1.2	4.0L, 4.2L
Range Rover	IMI-114	9	1.2	3.5L, 3.9L
2000, TC (M/T)	IMI-1206-10	10	1.2	2000cc
2000 (M,T)	IMI-1206-10	10	1.2	2000cc
3500	IMI-114	9	1.2	3.5L

RUGGERINI

Model	IMI	Gear	kW	Note
Industrial Engines				
1 Cyl	IMI-101-004	9	1.4	1983-97
2 Cyl	IMI-101-004	9	1.4	1995-99

SPECIALTY

Model	IMI	Gear	kW	Note
Pull Tractor	IMI-25208-001	10	2.7	CCW
Ford 2.3L	IMI-163-001	9	1.4	Race Application
Ford 7.3L	IMI-50002-023	10	5.0	Generator
Duetz	IMI-50002-009	9	5.0	High Performance
Ford Industrial	IMI-50402-001	10	5.0	Long Throw
Reverse Assist	Various			Motorcycle

SUNBEAM

Model	IMI	Gear	kW	Note
Alpine	IMI-1206-9A	9	1.2	
IMP	IMI-1206-9AA	9	1.2	
Tiger	IMI-106	9	1.2	

TCM

Model	IMI	Gear	kW	Note
D11	IMI-213-001	9	1.2	
H20	IMI-202-001	11	1.2	
K21, K25	IMI-244-001	9	1.2	
SD22, SD25	IMI-229-001	9	2.0	
TB42	IMI-229-003	9	1.4	
Z24	IMI-202-001	11	1.2	

ROLLS ROYCE

Model	IMI	Gear	kW	Note
Camargue 75-89	IMI-241L	9	1.4	
Corniche 73-89	IMI-241L	9	1.4	
Silver Cloud 59-66	IMI-220-002	9	1.4	
Silver Shadow 73-89	IMI-241L	9	1.4	
Silver Spirt 80-87	IMI-241L	9	1.4	
Silver Spur 80-87	IMI-241L	9	1.4	



IMI-1206-TR6

ROVER

Model	IMI	Gear	kW	Note
Defender	IMI-114	9	1.2	3.9L
Discovery	IMI-114	9	1.2	3.9L
Landrover	IMI-1206-11	11	1.2	2.6L
Range Rover (All Models)	IMI-114	9	1.2	4.0L, 4.2L
Range Rover	IMI-114	9	1.2	3.5L, 3.9L
2000, TC (M/T)	IMI-1206-10	10	1.2	2000cc
2000 (M,T)	IMI-1206-10	10	1.2	2000cc
3500	IMI-114	9	1.2	3.5L



IMI-122-014

RUGGERINI

Model	IMI	Gear	kW	Note
Industrial Engines				
1 Cyl	IMI-101-004	9	1.4	1983-97
2 Cyl	IMI-101-004	9	1.4	1995-99



IMI-105

SPECIALTY

Model	IMI	Gear	kW	Note
Pull Tractor	IMI-25208-001	10	2.7	CCW
Ford 2.3L	IMI-163-001	9	1.4	Race Application
Ford 7.3L	IMI-50002-023	10	5.0	Generator
Duetz	IMI-50002-009	9	5.0	High Performance
Ford Industrial	IMI-50402-001	10	5.0	Long Throw
Reverse Assist	Various			Motorcycle

SUNBEAM

Model	IMI	Gear	kW	Note
Alpine	IMI-1206-9A	9	1.2	
IMP	IMI-1206-9AA	9	1.2	
Tiger	IMI-106	9	1.2	



IMI-101

TCM

Model	IMI	Gear	kW	Note
D11	IMI-213-001	9	1.2	
H20	IMI-202-001	11	1.2	



IMI-101NL



IMI-303-001



IMI-231-001



IMI-214-005

VW				
Model	IMI	Gear	kW	Note
Type I				
V8 Conversion	IMI-101N	9	1.4	
Rotary (High RPM)	IMI-101NMR	11	1.4	
Corvaire Conversion	IMI-101NR	9	1.4	
Honda Conversion	IMI-101NL	9	1.4	
Bus				
091	IMI-104	9	1.2	
A/T	IMI-101	9	1.2	
M/T	IMI-104	9	1.2	
V8 Conversion	IMI-104N	9	1.4	
Golf	IMI-132-001	9	1.4	Diesel
Rabbit	IMI-132-001	9	1.4	Diesel
Touareg	IMI-215-008	10	1.4	

WESTERBEKE				
Model	IMI	Gear	kW	Note
Farryman	IMI-122-021	9	1.2	
Perkins	IMI-303	11	2.0	11t replaces 13t
Bedford 4-107, 4-108	IMI-303	11	2.0	11t replaces 13t
4cyl, 6cl Diesel	IMI-25002-001	10	2.7	

YALE				
Model	IMI	Gear	kW	Note
GM				
2.2L	IMI-254-001	11	1.4	
3.0L	IMI-211-001	11	1.2	
4.3L	IMI-228-001	11	1.4	
4.3L Bellhousing	IMI-234-001	10	1.4	Wet Clutch
Isuzu				
Alfa2 V6	IMI-230-002	9	1.4	
Mazda				
FE	IMI-201-001	11	1.2	
VA	IMI-201-001	11	1.2	
Late Model	IMI-201-003	11	1.2	
Veracitor	IMI-242-001	11	1.4	
Perkins				
Diesel	IMI-25002-001	10	2.7	Bt Right
Diesel	IMI-25002-002	10	2.7	Bt Left

YANMAR				
Model	IMI	Gear	kW	Note
Gas				
1GM	IMI-231-001	9	1.2	
1GM10	IMI-231-001	9	1.2	
1GM1-L	IMI-214-007	15	1.4	
20GM	IMI-231-001	9	1.2	
2GM	IMI-231-001	9	1.2	
2GMF	IMI-231-001	9	1.2	
2QM	IMI-214-005	15	2.0	

YANMAR

Model	IMI	Gear	kW	Note
Gas				
2QM15	IMI-238-001	11	1.4	
2QM20	IMI-214-007	15	1.4	
2T73	IMI-238-001	11	1.4	
2T80L	IMI-214-007	15	1.4	
2TNV70	IMI-214-017	9	1.2	Diesel
3TNV70	IMI-214-017	9	1.2	Diesel
3TN72	IMI-239-001	11	1.4	
3TN75	IMI-239-001	11	1.4	
3TN66	IMI-239-001	11	1.4	
30GM	IMI-231-001	9	1.2	
30GM	IMI-231-001	9	1.2	
3HM	IMI-214-005	15	2.0	
3HMF	IMI-214-005	15	2.0	
3JH3-YEU	IMI-214-007	15	1.4	
YSB	IMI-202-002	11	1.2	Wet Clutch
Diesel				
3T95L	IMI-45102-002	11	2.7	
6LP-DTE	IMI-3100-003	12	2.7	



IMI-214-007



IMI-238-001

YANMAR Tractors

Model	IMI	Gear	kW	Note
TC3000				Note
3T84C Engine	IMI-214-007	15	1.4	
YM1300				
2T73 Engine	IMI-238-001	11	1.4	
2TR13 Engine	IMI-238-001	11	1.4	
YM1500				
2TR13 Engine	IMI-238-001	11	1.4	
YM1600				
3T72 Engine	IMI-239-001	11	1.4	
YM1700				
2TR17 Engine	IMI-214-007	15	1.4	
YM2000				
2TR20 Engine	IMI-214-007	15	1.4	
YM2210				
2T90 Engine	IMI-214-005	15	2.0	
YM2610				
3T80D Engine	IMI-214-005	15	2.0	
YM3000				
3T84 Engine	IMI-214-005	15	2.0	
Various Models				
2TR16 Engine	IMI-45102-002	11	2.7	
2TR19 Engine	IMI-45102-002	11	2.7	



IMI-214-017



IMI-214-019

ZAMBONI

Model	IMI	Gear	kW	Note
Various	IMI-122-005	9	1.4	

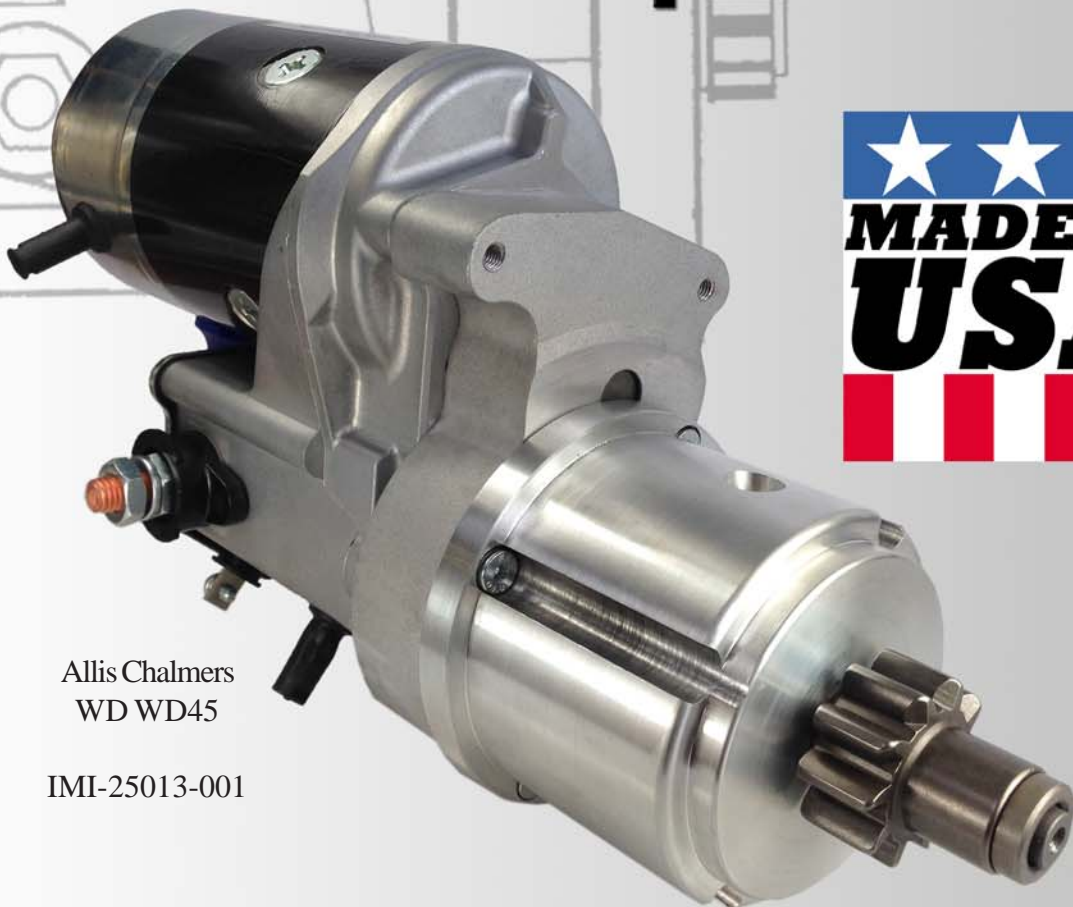
IMI Performance Products, Inc.



**13432 Lambert Road
Whittier, CA 90605**

(888) 244-8675

www.hitorque.com



Allis Chalmers
WD WD45

IMI-25013-001